

LENNOX
Innovation never felt so good.™

carefree comfort

ELITE® SERIES



CBX27UH

Performance-
boosting
air handler



Comfort you can feel good about

The comfort of your home should not be added stress today, or in the future. It should be something you feel good about at all times. Working with your outdoor heat pump or air conditioner, the Elite® Series CBX27UH air handler puts you comfortably at ease, day after day and season after season. It combines advanced Lennox® engineering with high-quality components to allow efficient air circulation throughout your home. This not only helps keep rooms at the right temperature, but it also helps keep humidity levels and utility bills in check. Talk about peace of mind.

An important part of your home comfort system

The CBX27UH is specifically designed for use with a matched Lennox heat pump or air conditioner for optimal efficiency and performance. While it can “work” with other outdoor units, including older systems, it will only operate at its peak potential when it’s paired with the right-sized cooling system for your home.

A “high-air” level of performance

A direct-drive blower motor makes the CBX27UH quieter and more efficient than standard air handlers. That’s because the blower wheel and motor have been designed for perfect balance. It runs smoothly at higher speeds for an elevated level of comfort, with minimum operating sound and energy waste.

Features to suit your needs

Flexible installation

A flexible configuration allows the CBX27UH to go almost anywhere in your home. The CBX27UH can be installed in an upflow position (ductwork connected to the top of the unit) or horizontally in an attic or crawlspace, without any need for additional parts or any modification.

Optional backup heat

The CBX27UH air handler provides you the option of electric heat for the nights when blankets aren’t cutting it. With this EvenHeater™ option, backup heat is provided in stages, rather than all at once, to maintain a comfortable indoor temperature and prevent drafts.

A solid handle on contaminants

The CBX27UH air handler also helps you get a handle on the quality of your home’s air. A knockout opening in the cabinet makes it easy to add a Healthy Climate® germicidal light, so the air you breathe is cleaner and healthier. Maximum-intensity ultraviolet light helps reduce concentrations of microorganisms such as mildew, bacteria and mold—irritants that can trigger or aggravate allergies.

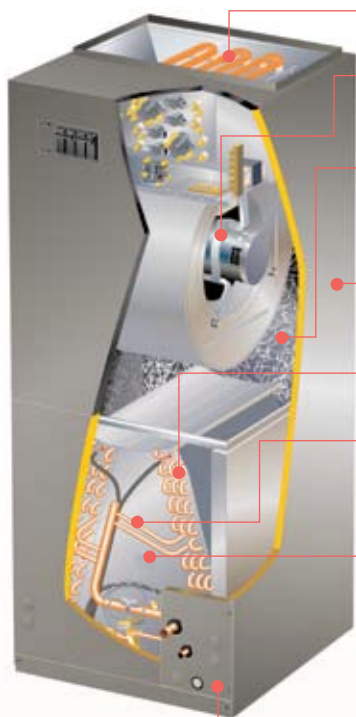
Elite® Series CBX27UH

Performance you can feel good about

- Enhanced air performance increases system efficiency while maintaining proper airflow
- Upflow/horizontal configurations allow maximum flexibility in installation
- Meets Florida standard for 2%-or-less air leakage from unit

5-year limited warranty on the compressor and all remaining covered components.*

*Applies to residential applications only. See actual warranty certificate for details.



Optional Electric Heat – Provides supplemental heat for added comfort.

High-Efficiency, Direct-Drive Blower Motor – Delivers high cooling and heating efficiencies for improved performance.

Fully Insulated Cabinet – Reduces sound for quiet operation. Foil-faced insulation improves mold reduction and indoor air quality.

Durable Steel Cabinet – Made to last with an attractive, high-quality, textured-paint finish.

High-Efficiency Evaporator Coil – Provides exceptional heat transfer and efficiency.

Efficient Check and Expansion Device – Ensures highly efficient operation and is designed for use with non-ozone-depleting R410A refrigerant.

Prepunched UV Knockout – Makes adding a Healthy Climate® germicidal light to your air handler quick and easy, improving indoor air quality by helping eliminate household contaminants such as mold and bacteria.

Antimicrobial Drain Pan – Includes an antimicrobial agent that inhibits mold and mildew growth and is made of a durable composite material that won't corrode or rust.

Elite Series CBX27UH Specifications

Model	018/024	030	036	042/048	060
Dimensions HxWxD (in)	49-1/4 x 21-1/4 x 20-5/8	51 x 21-1/4 x 22-5/8	51 x 21-1/4 x 22-5/8	58-1/2 x 21-1/4 x 24-5/8	62-1/2 x 21-1/4 x 24-5/8
HxWxD (mm)	1251 x 540 x 524	1295 x 540 x 575	1295 x 540 x 575	1486 x 540 x 625	1588 x 540 x 625



Lennox is proud of the fact that these products have earned the Good Housekeeping Seal.



Note: Due to Lennox' ongoing commitment to quality, all specifications, ratings and dimensions are subject to change without notice.

LENNOX
Innovation never felt so good.™

For a complete list of the registered and common law trademarks owned by Lennox Industries Inc., please visit www.lennox.com.